



1028 Opelika Road,
 Auburn, AL 36830
 Ph: (334) 826-9538
 Fax: (334) 826-9539

AAON

RN-D000-KD/FW-193-14,18,24,36-DR

D Box (26 - 70 Ton) w/ Heat Wheel & Duct Rails

Customer: _____ Project: _____
 Ship To: _____ PO Number: _____

 _____ Approved By: _____

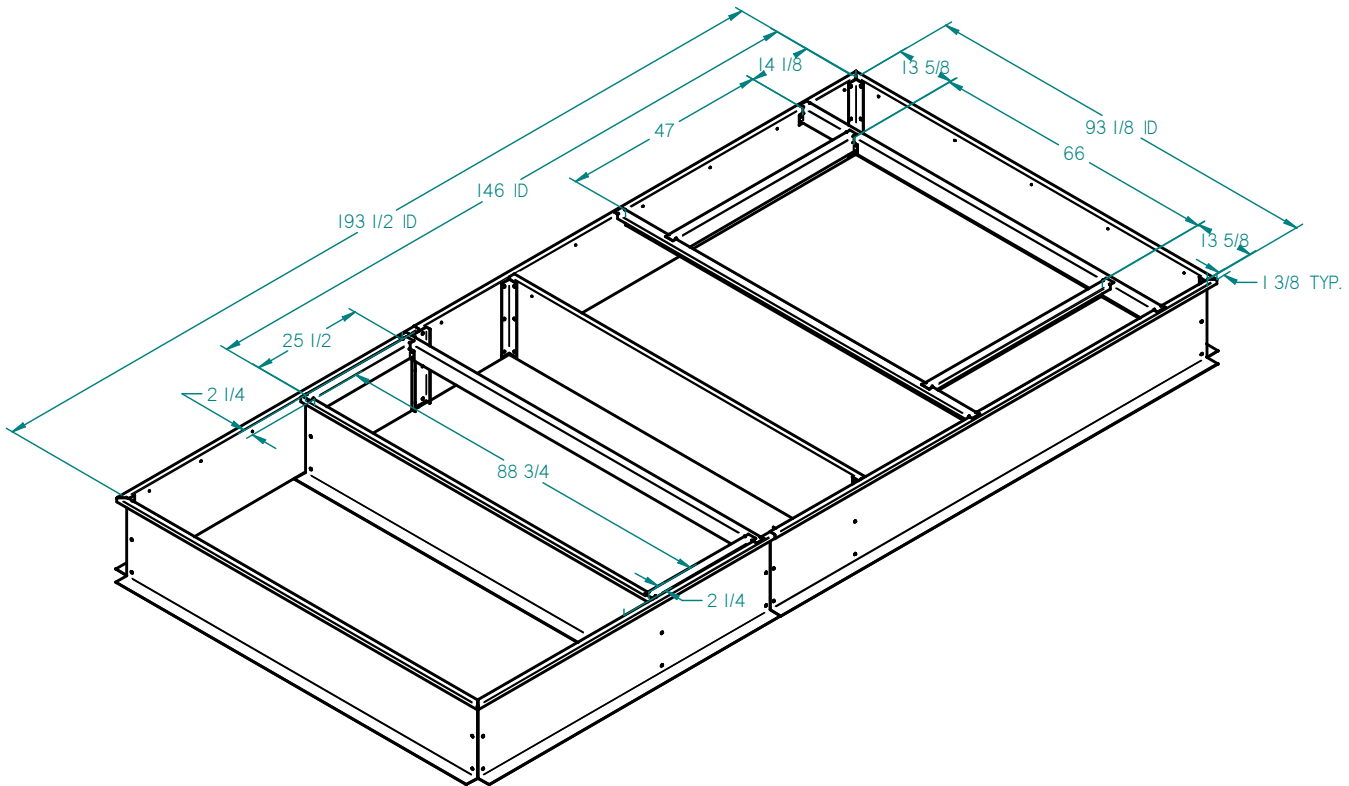
Standard Features:

- Knock Down or Welded 14ga G90 galvanized steel construction
- 14, 18, 24 or 36 inches high
- Factory installed PT 1x4 wood nailer
- Supplied 1-1/2x1/4" closed cell neoprene gasket
- 1"x1.5# insulation

Options (please check):

- Heavier gauge metal
- 5052-H32 AL or 304 SS construction
- Custom height
- Slope
- Horizontal duct connections
- Turning vane

- 1" or 2" isolation rails
- Seismic rating/stamped
- Filtration
- Metal Building construction
- Other per customer specs



QUANTITY	KD / FW	HEIGHT	OPTIONS	SPECIAL NOTES