

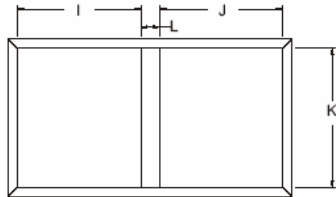
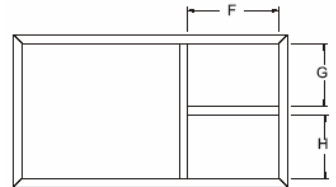
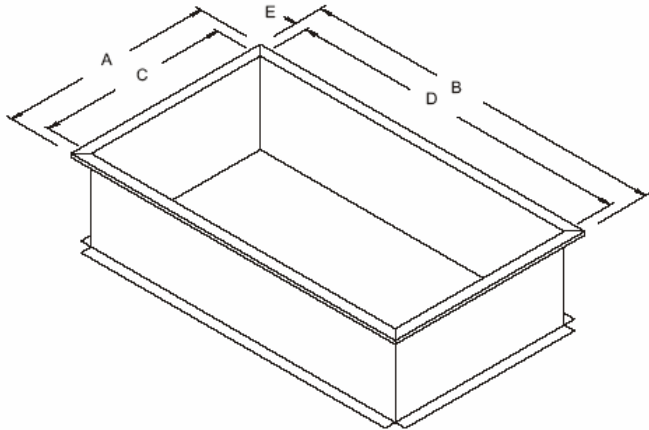
Curb Technologies L.L.C. – Curb Adaptor Quote Request Form

CUSTOMER INFORMATION

Contact:	
Customer:	
Address:	
Telephone:	
Fax:	
Email:	

EXISTING UNIT INFORMATION	NEW UNIT INFORMATION
Unit Manufacturer:	Unit Manufacturer:
Model Number:	Model Number:
Serial Number:	Size / Ton:
Size / Ton:	
Duct Type:	Match existing Ductwork?
<input type="checkbox"/> Rectangle <input type="checkbox"/> Round Metal <input type="checkbox"/> Round Flex <input type="checkbox"/> Concentric	<input type="checkbox"/> Yes <input type="checkbox"/> No
Does the existing unit have a Downturn Plenum?	
<input type="checkbox"/> Yes <input type="checkbox"/> No	

Existing Roof Curb Measurements



A	B	C	D	E	F	G	H	I	J	K	L

NOTE: It may be necessary to provide us with a drawing of the roof curb with duct layouts if the old unit's configuration cannot be determined from the information provided.

Return to: **Curb Technologies, LLC.**
 1028 Opelika Rd.
 Auburn, AL 36830

Phone: (334) 826-9538
 Fax: (334) 826-9539
Trent Globetti - General Manager,
 Estimating, Production