



CARRIER

50 RTG 15,20

1028 Opelika Road,
 Auburn, AL 36830
 Ph: (334) 826-9538
 Fax: (334) 826-9539

Customer: _____ Project: _____

Ship To: _____

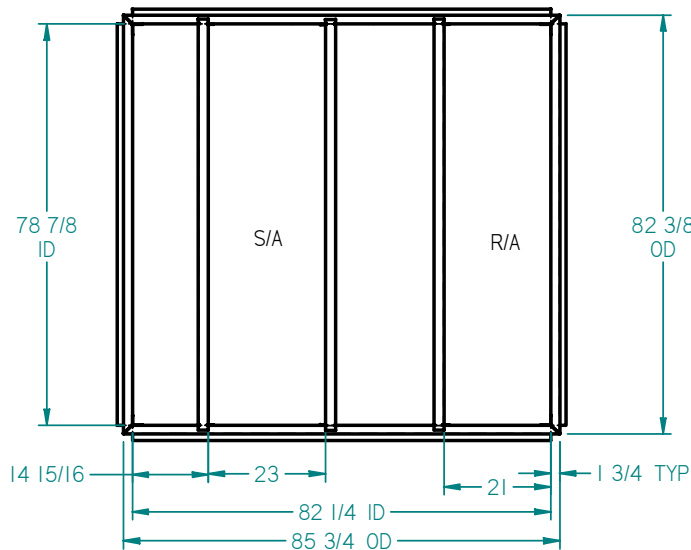
Standard Features:

- Knock Down or Fully Welded 14ga G90 galvanized steel construction
- 14 inches high
- Factory installed PT 2x4 wood nailer
- Supplied 1-1/2x1/4" closed cell neoprene gasket

Options (please check):

- Heavier gauge metal
- 5052-H32 AL or 304 SS construction
- Custom height
- Horizontal duct connections*
- Turning vane*
- 1" or 2" isolation rails
- Seismic rating/stamped
- Filtration*
- Metal Building construction
- Other per customer specs

* Welded curb only



QUANTITY	KD / FW	HEIGHT	OPTIONS	SPECIAL NOTES