



Conventional

Conventional Roof Curb Non-Insulated With Cant

1028 Opelika Road,
Auburn, AL 36830
Ph: (334) 826-9538
Fax: (334) 826-9539

Customer: _____ Project: _____

Ship To: _____

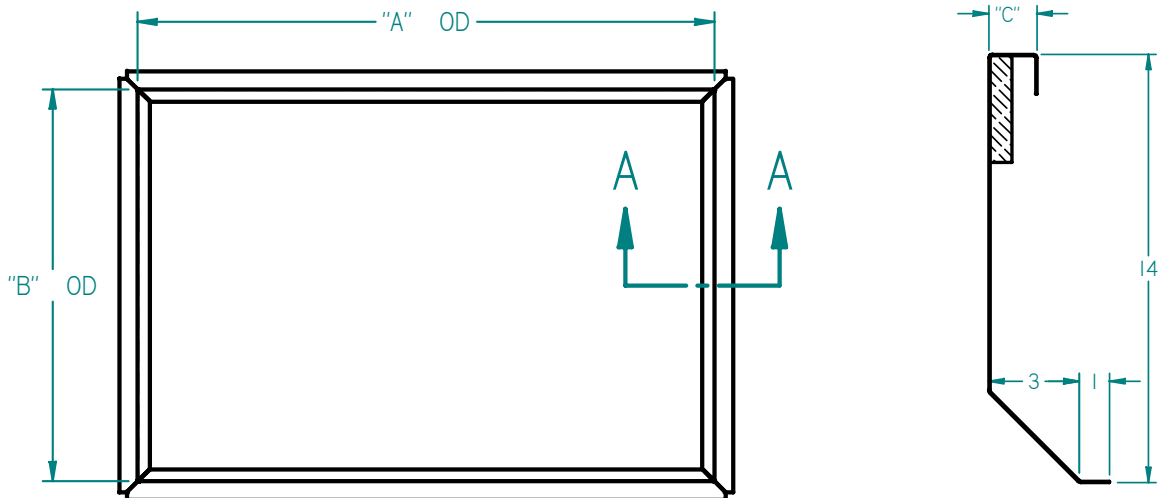
Standard Features:

- Welded 18ga G90 galvanized steel construction
- 14 inches high
- Factory installed PT wood nailer
- Supplied closed cell neoprene gasket
- Weld seams painted
- No insulation

Options (please check):

- Heavier gauge metal
- 5052-H32 AL or 304 SS construction
- Custom height
- Horizontal duct connections*
- Turning vane*
- 1" or 2" isolation rails
- Seismic rating/stamped
- Filtration*
- Metal Building construction
- Other per customer specs

* Welded curb only



SECTION A-A

QUANTITY	HEIGHT	"A" in.	"B" in.	"C" in.	OPTIONS	SPECIAL NOTES