



8737 AL Hwy 51
 Opelika, AL 36804
 Ph: (334)826-9538
 Fax: (334)826-9539

Trane

Voyager/Foundation
 TSD,YSD180,210,240,300
 THD,YHD150,180,210,240,300
 WSD150,180,240
 EAC,EAD,GAC,GAD180,210,240,300

Project Name: _____

Delivery Zip Code: _____

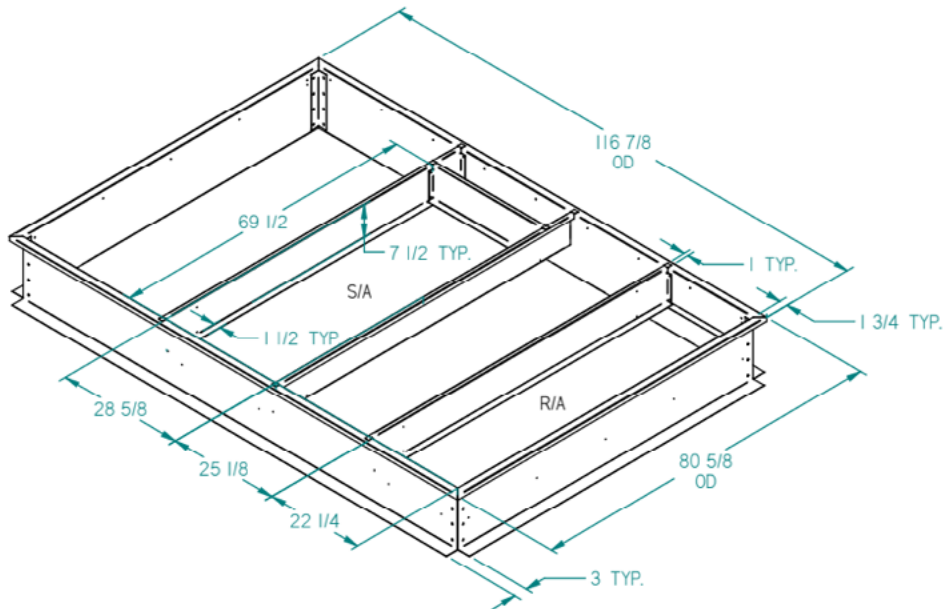
Standard Features

- Knock down or welded 18ga G90 galvanized steel construction
- 14 inches high
- Factory installed PT 1x4 wood nailer
- Supplied 1-1/2x1/4" closed cell neoprene gasket

Options (please check):

- Heavier gauge metal
- 5052-H32 AL or 304 SS construction
- Custom height
- Horizontal duct connections*
- Turning vane*
- 1" or 2" isolation rails
- Seismic rating/stamp
- Wind rating/stamp
- Filtration*
- Metal Building construction
- Insulated
- Other per customer specs

* Welded curb only



Quantity	KD/Weld	Height	Options	Special Notes