



Carrier

48 HC 07-12, LC 07, TC 08-14

8737 AL Hwy 51
 Opelika, AL 36804
 Ph: (334)826-9538
 Fax: (334)826-9539

Project Name: _____

Delivery Zip Code: _____

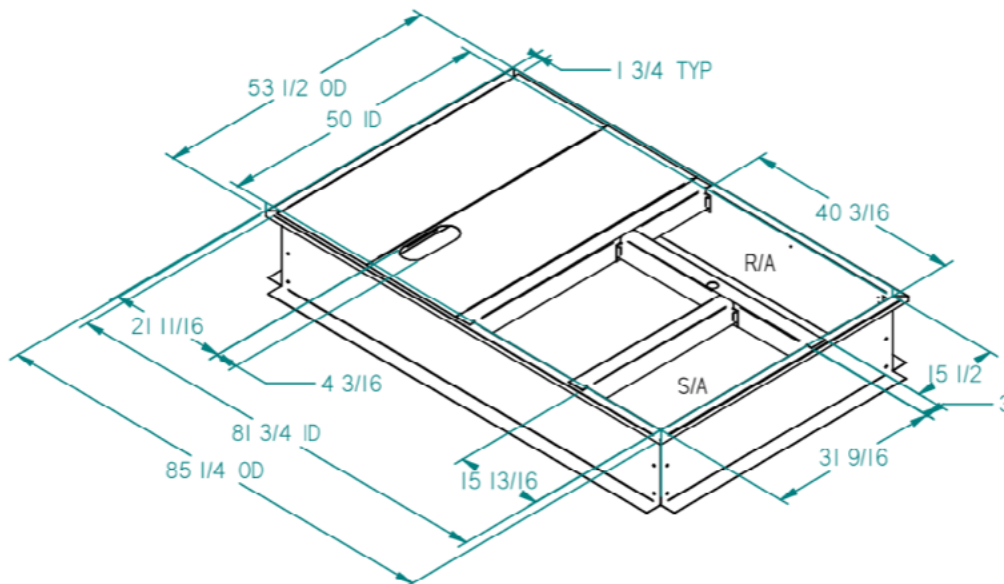
Standard Features

- Knock down or welded 18ga G90 galvanized steel construction
- 14 inches high
- Factory installed PT 2x4 wood nailer
- Supplied 1-1/2x1/4" closed cell neoprene gasket

Options (please check):

- Heavier gauge metal
- 5052-H32 AL or 304 SS construction
- Custom height
- Horizontal duct connections*
- Turning vane*
- 1" or 2" isolation rails
- Seismic rating/stamped
- Filtration*
- Metal Building construction
- Other per customer specs

* Welded curb only



Quantity	KD/Weld	Height	Options	Special Notes