



**JCI**  
YPAL150

8737 AL Hwy 51  
Opelika, AL 36804  
Ph: (334)826-9538  
Fax: (334)826-9539

**Project Name:** \_\_\_\_\_

**Delivery Zip Code:** \_\_\_\_\_

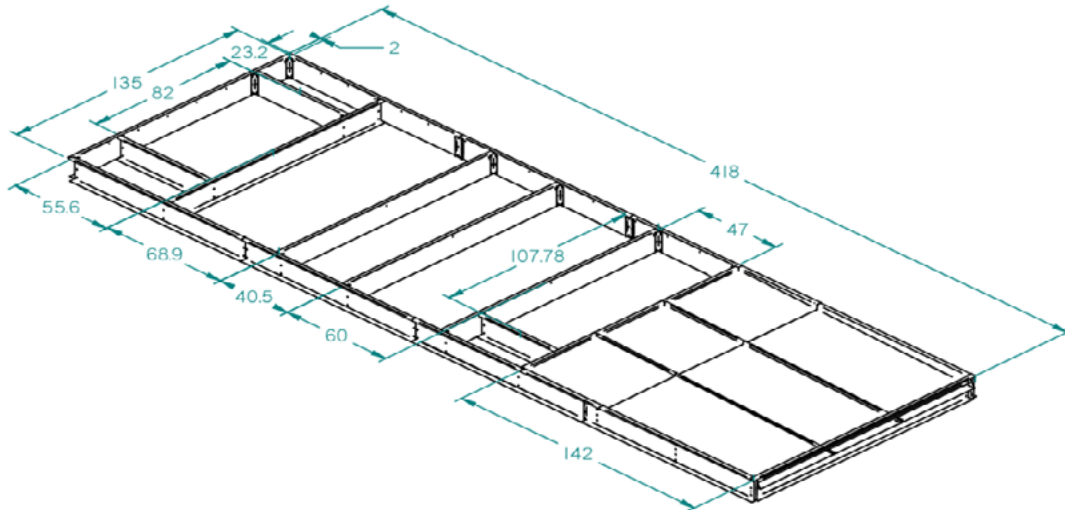
**Standard Features**

- Welded or knock down 18ga G90 galvanized steel construction
- 14 inches high
- Factory installed PT 1x4 wood nailer
- Supplied 1-1/2x1/4" closed cell neoprene gasket

**Options (please check):**

- Heavier gauge metal
- 5052-H32 AL or 304 SS construction
- Custom height
- Horizontal duct connections\*
- Turning vane\*
- 1" or 2" isolation rails
- Seismic rating/stamp
- Wind rating/stamp
- Filtration\*
- Metal Building construction\*
- Insulated
- Other per customer specs

\* Welded curb only



Quantity	Weld/KD	Height	Options	Special Notes