



AAON

RN-B000-SB-073-14,18,24,36
B Box (9 - 15 Ton)

8737 AL Hwy 51
Opelika, AL 36804
Ph: (334)826-9538
Fax: (334)826-9539

Project Name: _____

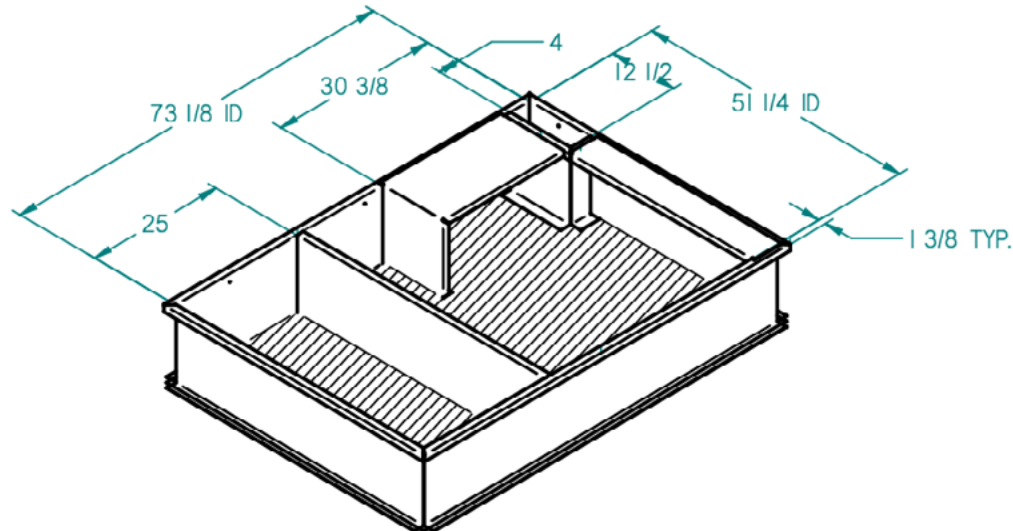
Delivery Zip Code: _____

Standard Features

- Welded SB 18ga G90 galvanized steel construction
- 14, 18, 24 or 36 inches high
- Factory installed PT 1x4 wood nailer
- Supplied 1-1/2x1/4" closed cell neoprene gasket
- 1"x1.5# insulation

Options (please check):

- Heavier gauge metal
- 5052-H32 AL or 304 SS construction
- Custom height
- Slope
- Horizontal duct connections
- Turning vane
- 1" or 2" isolation rails
- Seismic rating/stamped
- Filtration
- Metal Building construction
- Other per customer specs



Quantity	Height	Options	Special Notes