



8737 AL Hwy 51  
 Opelika, AL 36804  
 Ph: (334)826-9538  
 Fax: (334)826-9539

# Trane

IntelliPak  
 S\*HL\*60,\*70,\*75  
 S\*HL\*73,\*80,\*89  
 \* - (E,F,L,S,X)

**Project Name:** \_\_\_\_\_

**Delivery Zip Code:** \_\_\_\_\_

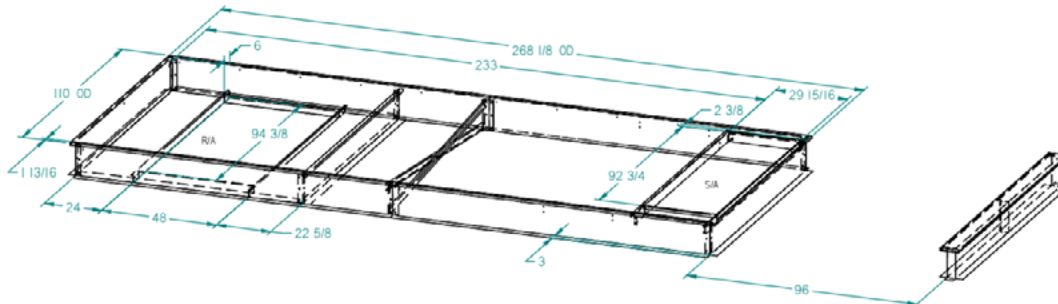
## Standard Features

- Knock down or welded 14ga G90 galvanized steel construction
- 14 inches high
- Factory installed PT 2x4 wood nailer
- Supplied 1-1/2x1/4" closed cell neoprene gasket

## Options (please check):

- Heavier gauge metal
- 5052-H32 AL or 304 SS construction
- Custom height
- Horizontal duct connections\*
- Turning vane\*
- 1" or 2" isolation rails
- Seismic rating/stamp
- Wind rating/stamp
- Filtration\*
- Metal Building construction
- Insulated
- Other per customer specs

\* Welded curb only



Quantity	KD/Weld	Height	Options	Special Notes