



**AAON**

RN-D000-KD/FW-146-14,18,24,36-DR  
 D Box (26 - 70 Ton)  
 w/ Duct Rails

8737 AL Hwy 51  
 Opelika, AL 36804  
 Ph: (334)826-9538  
 Fax: (334)826-9539

**Project Name:** \_\_\_\_\_

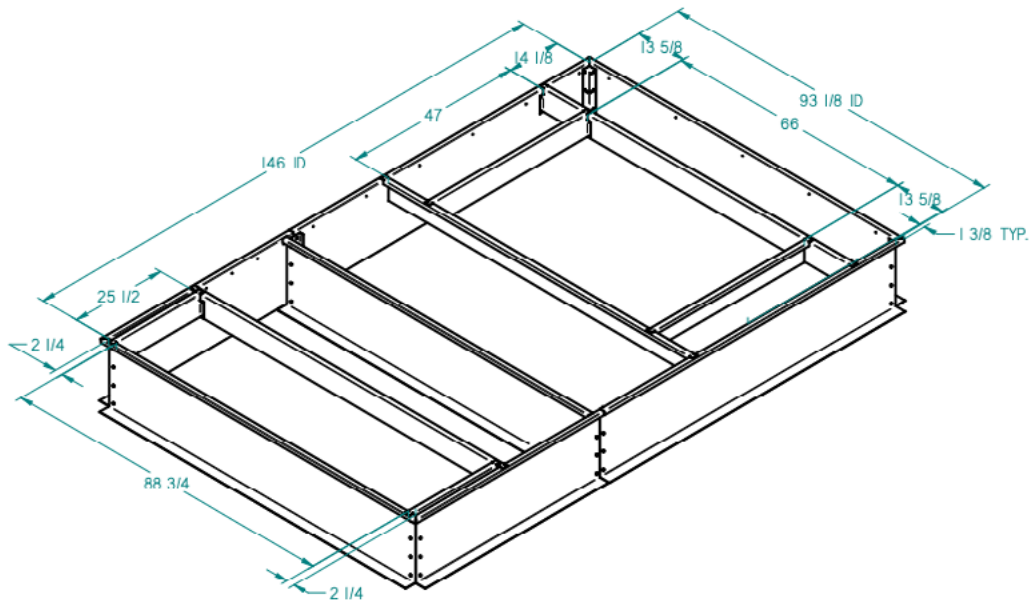
**Delivery Zip Code:** \_\_\_\_\_

**Standard Features**

- Knock Down or Welded 14ga G90 galvanized steel construction
- 14, 18, 24 or 36 inches high
- Factory installed PT 1x4 wood nailer
- Supplied 1-1/2x1/4" closed cell neoprene gasket

**Options (please check):**

- Heavier gauge metal
- 5052-H32 AL or 304 SS construction
- Custom height
- Slope
- Horizontal duct connections
- Turning vane
- 1" or 2" isolation rails
- Seismic rating/stamped
- Filtration
- Metal Building construction
- 1"x1.5# density insulation
- Other per customer specs



| Quantity | KD/FW | Height | Options | Special Notes |
|----------|-------|--------|---------|---------------|
|          |       |        |         |               |
|          |       |        |         |               |
|          |       |        |         |               |